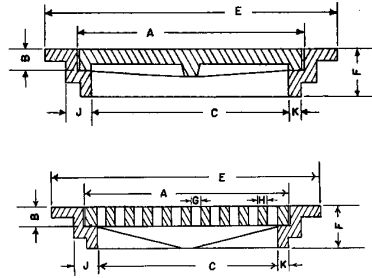


■ Note: When specifying/ordering grates, refer to "Choosing the Proper Inlet Grate" on pages 125-126.
 For a complete listing of FREE OPEN AREAS and WEIR PERIMETERS of all NEENAH grates, refer to pages 327-332.

R-3491 Series Airport Catch Basin Frame, Grate

CATALOG NUMBER	GRATE TYPE	SQ. FT. OPEN	WEIR PERIMETER LINEAL FEET
R-3491-AG	G	0.9	5.5
R-3491-GG	G	1.6	7.1
R-3491-HG	G	1.9	7.6
R-3491JG	G	2.4	8.5



Lids/Grates are bolted to frame.

For slab Manhole construction.

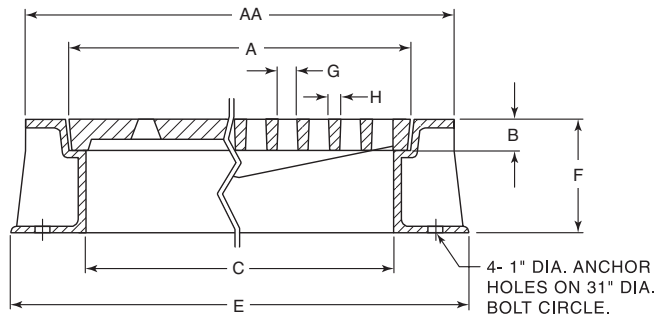
Dimensions in inches

Catalog No. Solid Lid	Catalog No. Open Grate	A	B	C	E	F	G	H	J	K
R-3491-AL	R-3491-AG *	21	2 1/2	18	27 1/2	5	1 1/4	1	2 7/8	1
R-3491-GL *	R-3491-GG *	27	2 1/2	24	33 1/2	5	1 1/2	1	2 7/8	1
R-3491-HL	R-3491-HG	29	1 3/4	27	35	6	1 1/2	1	2 7/8	1
R-3491-JL	R-3491-JG	32 3/8	2	30	39 1/2	6	1 1/2	1	2 7/8	1

Frames in gray iron, grates/covers in ductile unless noted otherwise.

* Gray iron grate/cover.

R-3492 Series Airport Manhole Frame, Lid



Lids/Grates are bolted to frame.

For slab or built-up Manhole construction.

Top and bottom flange provide complete anchorage, so frame becomes an integral part of the slab. Can be gasket sealed for watertight application if specified.

Dimensions in inches

Catalog No. Solid Lid	Catalog No. Open Grate	A	AA	B	C	E	F	G	H	Lid/Grate Material
R-3492	R-3492-1	27	33 1/2	2 1/2	24	36	9	1 1/2	1	Gray Iron
R-3492-A	R-3492-A1	32 3/8	39 1/2	2	30	42	9	1 1/2	1	Ductile Iron

CATALOG NUMBER	GRATE TYPE	SQ. FT. OPEN	WEIR PERIMETER LINEAL FEET
R-3492-1	G	1.6	7.1
R-3492-A1	G	2.4	8.5

Supplied By:

**TRENCHDRAIN
 SUPPLY**

877-903-7246

www.trenchdrainsupply.com

CLICK HERE to return to the Table of Contents